

Tie Rod End, Remove and Install



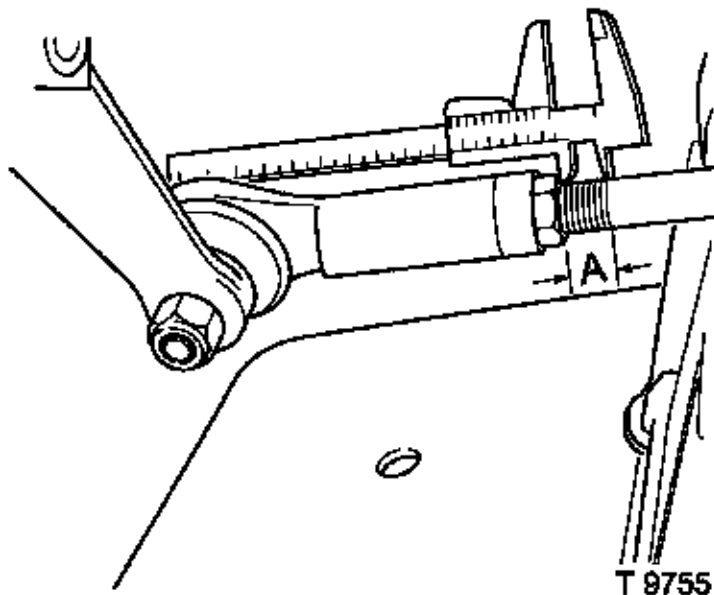
Remove

Front wheel from vehicle.



Measure

Measure free thread length (A) from lock nut to thread end on tie rod.



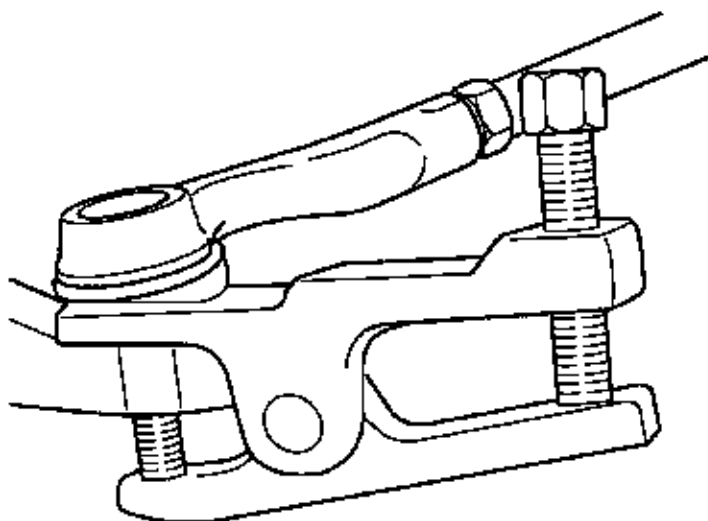
Remove

Slacken lock nut on tie rod.

Fastening nut from tie rod end.

Tie rod end from steering arm – use Remover **KM-507-C**.

Tie rod end from tie rod.



T 9511



Install

Tie rod end to tie rod – note previously measured free thread length.

Tie rod end to steering arm – use new nut.

Tighten lock nut on tie rod end **30 Nm**.

Front wheel to vehicle – bolts **90 Nm**.



Adjust

Check toe-in and adjust – see operation "Toe-in, Adjust" in group E.

